

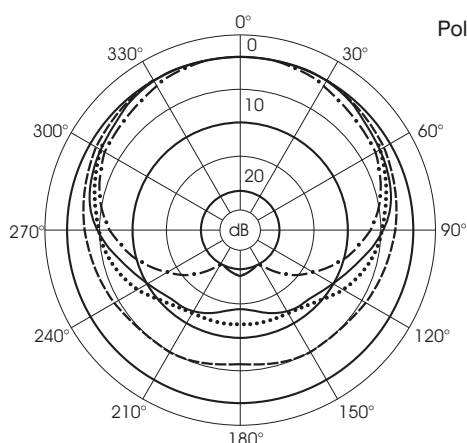
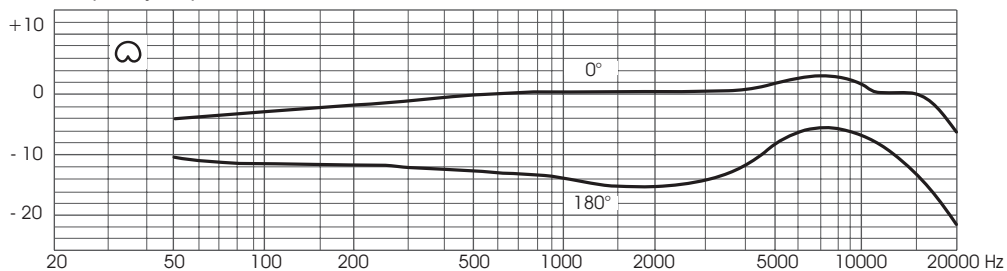
Technical data M 92.1 S

CE Certificate

Tube-condenser microphone

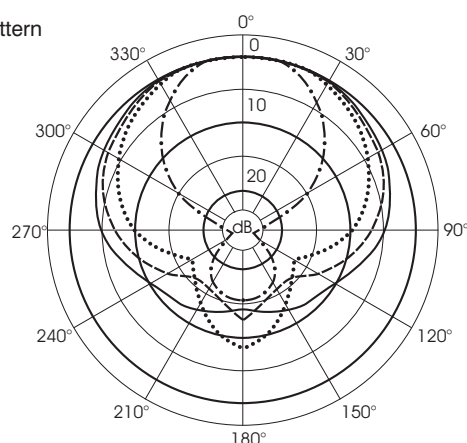
Polar pattern	cardioid	
Acoustic operating principle	Pressure gradient transducer	
Frequency range	40 ... 18000 Hz	
Sensitivity at 1 kHz	19 mV/Pa	
Rated impedance	200 Ω	
Equivalent loudness level due to inherent noise	CCIR 468-4 (qps)	25 dB
	DIN EN 60 651	15 dB - A
Signal-to-noise ratio (re 1 Pa at 1 kHz)	CCIR-weighted	69 dB
	A-weighted	79 dB
Max. SPL for THD ≤ 0,5 %	118 dB	
Total dynamic range of the microphone preamplifier	103 dB	
DC power supply	120 V-	
Anode current	1 mA-	
Heater voltage	5,8 V-	
Heater current	200 mA-	
Tube	EF 86	
Output connector	7-pin Tüchel C 70/A	
Weight	430 g	
Dimensions (L x Ø)	197 mm x 42 mm	

dB Frequency responses M 92.1 S



- - - - - 125 / 250 Hz
 500 Hz
 ——— 1 kHz
 - · - · - 2 kHz

Polar pattern



——— 1 kHz
 - - - - - 4 kHz
 8 kHz
 - · - · - 16 kHz