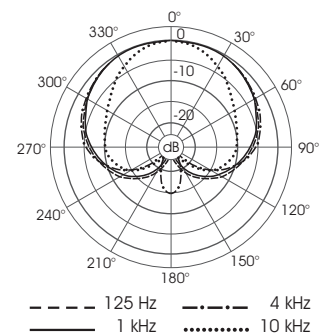
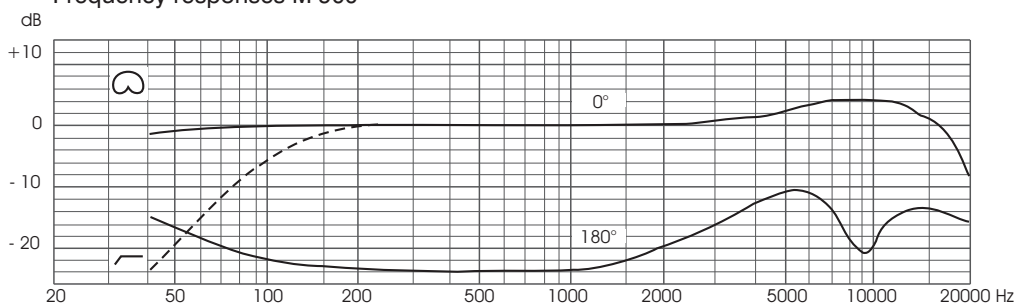


Accessories, optional

Windscreen, anthrazite	W 90	Order-No. 202403
Popscreen, black	PO 70	Order-No. 600018
Clamp, black	MKV 8	Order-No. 600014
Elastic suspension, dark bronze	EA 90	Order-No. 202314
Elastic suspension, anthracite	only for delivered by MTG AT 8410 a	Order-No. 600004
Table stand, dark bronze	TS 90	Order-No. 212306
Table stand for 2 microphones with Double mount, dark bronze	TS 68 TD 93	Order-No. 202309 Order-No. 202332
Power supply	N 200	Order-No. 202101
Connection cable	C 70	Order-No. 202212

Specifications	CE Certifikate	M 900	M 910
Transformerless Studio Condenser Microphone			
Polar patterns		cardioid	hypercardioid
Acoustical operating principle		Pressure gradient transducer	
Frequency range		40 ... 18000 Hz	40 ... 18000 Hz
Sensitivity at 1 kHz		17 mV/Pa	14 mV/Pa
Switch position "reduced bass roll-off" at 90 Hz		-10 dB	-10 dB
Rated impedance		150 Ω	150 Ω
Equivalent loudness level	CCIR 468-4	21 dB	22 dB
due to inherent noise	DIN EN 60 651	13 dB - A	15 dB - A
Signal-to-noise-ratio	CCIR-weighted	73 dB	72 dB
(re. 1 Pa at 1 kHz)	A-weighted	81 dB	79 dB
Max. SPL for THD ≤ 0,5 %		133 dB	135 dB
with 10 dB preattenuation		143 dB	145 dB
Total dynamic range of the microphone amplifier		120 dB	120 dB
Current consumption (P 48, DIN 45596, IEC 268-15)		3 mA	3 mA
Output connector		3-pin XLR connector goldplated contacts	
Weight		229 g	229 g
Dimensions (L x Ø)		218 mm x 47/28 mm	218 mm x 47/28 mm
Finish		dark bronze	dark bronze

Frequency responses M 900



Frequency responses M 910

