

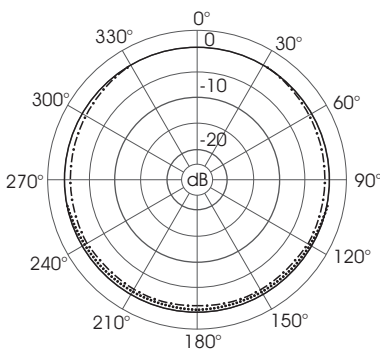
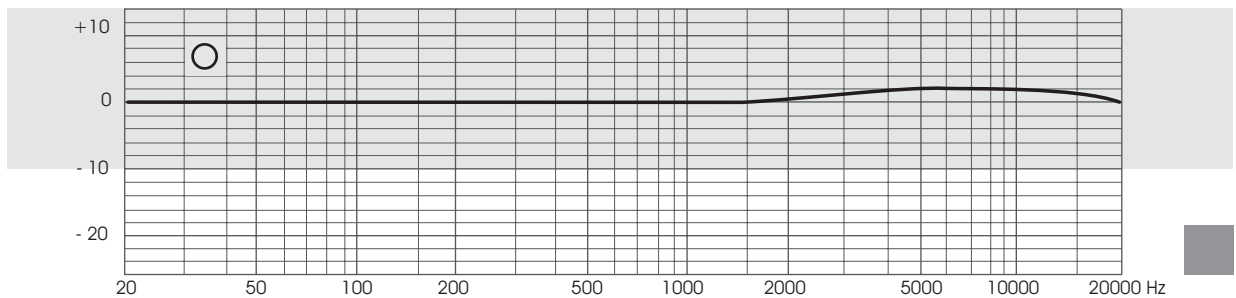
# Specifications M 296

CE Certificate

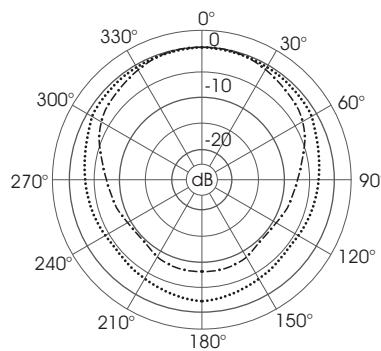
Condenser studio microphone with omnidirectional polar pattern

Polar pattern		omni
Acoustical operating principle		Pressure transducer
Frequency range		20 ... 20000 Hz $\pm$ 2,5 dB
Sensitivity at 1 kHz		15 mV/Pa
Switch position "reduced bass roll-off" at 90 Hz		-10 dB
Rated impedance		150 $\Omega$
Equivalent loudness level due to inherent noise	CCIR 468-4	22 dB
	DIN EN 60 651	14 dB - A
Signal-to-noise-ratio (re. 1 Pa at 1 kHz)	CCIR-weighted	72 dB
	A-weighted	80 dB
Max. SPL for THD $\leq$ 0,5 %		134 dB
with preattenuation		144 dB
Total dynamic range		120 dB
Current consumption (P 48, DIN 45596, IEC 268-15)		3 mA
Output connector		3-pin XLR connector goldplated contacts
Weight		157 g
Dimensions (L x $\varnothing$ )		256 mm x 21/24 mm

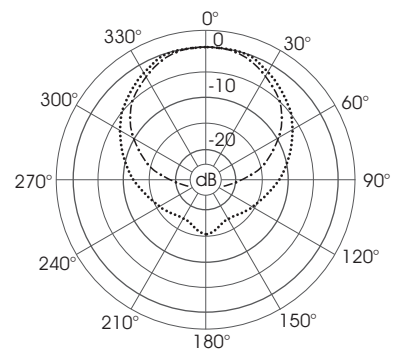
dB Frequency response M 296



— 500 Hz  
 ..... 1 kHz  
 - - - 2 kHz



..... 4 kHz  
 - - - 8 kHz



..... 12,5 kHz  
 - - - 16 kHz